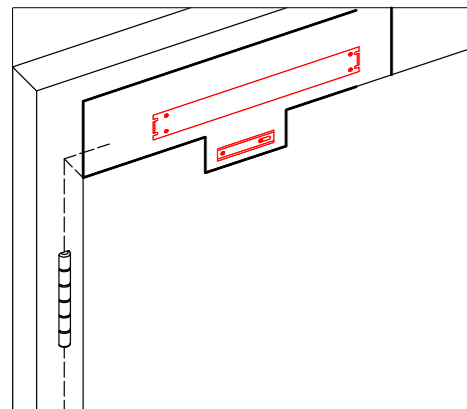
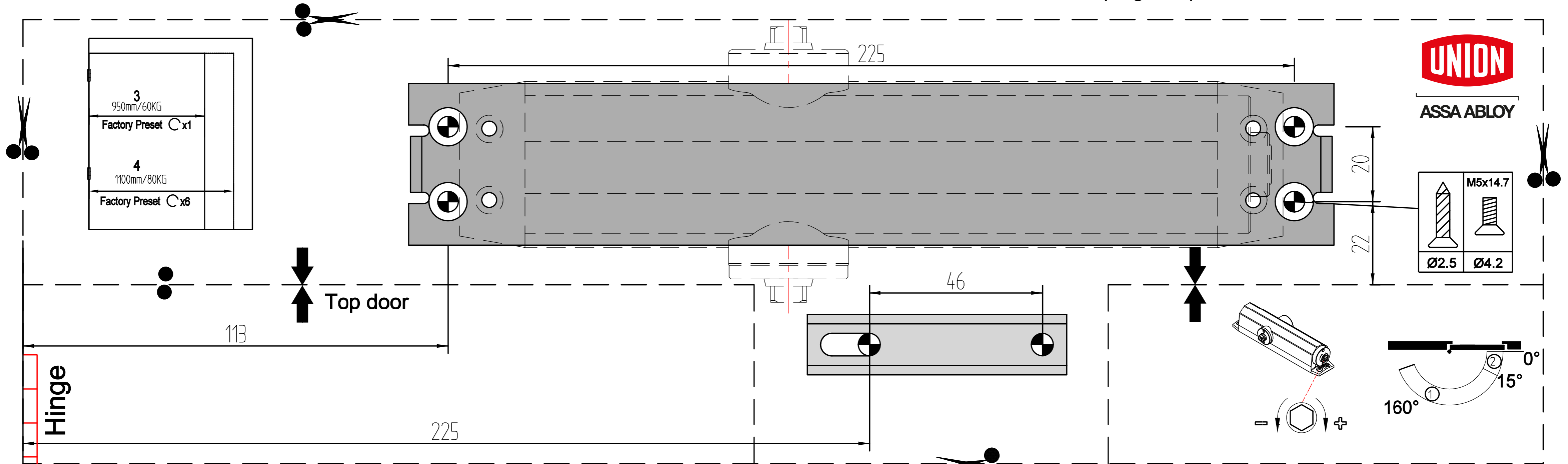
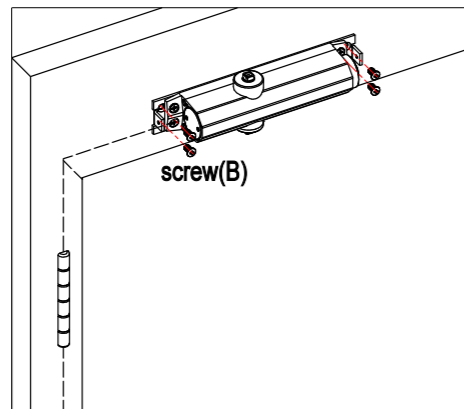


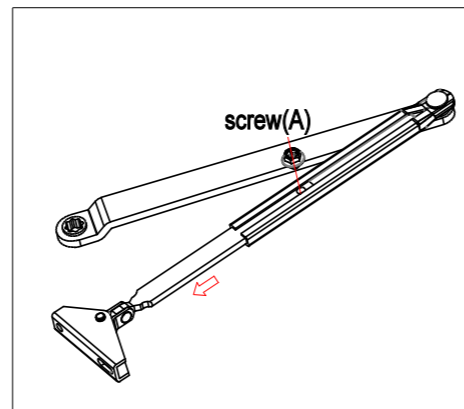
RetroV Rack and Pinion Closer Installation Instructions - Transom (Fig 61) Left Hand



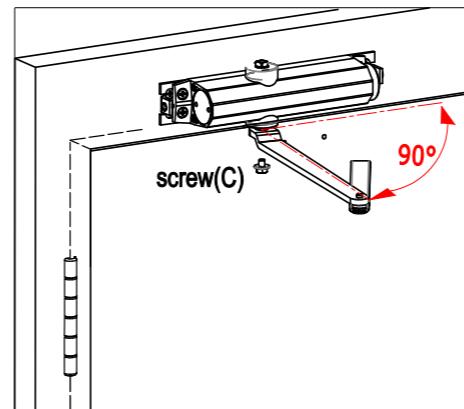
1 - Fit template to door, mark holes then remove template.



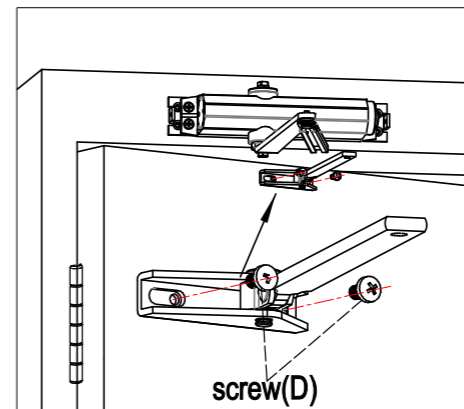
2 - Fit body to frame using 4-off screws(B) . Use spirit level to get body parallel to door frame.



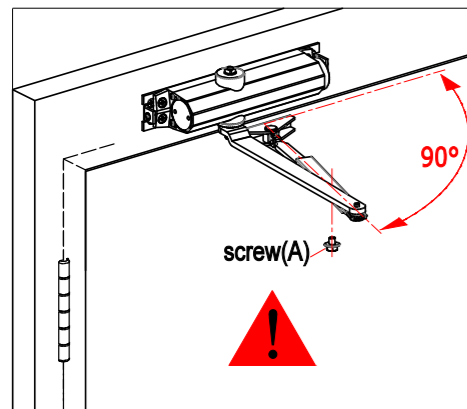
3 - Remove screw(A) from adjustable arm and take sliding part out.



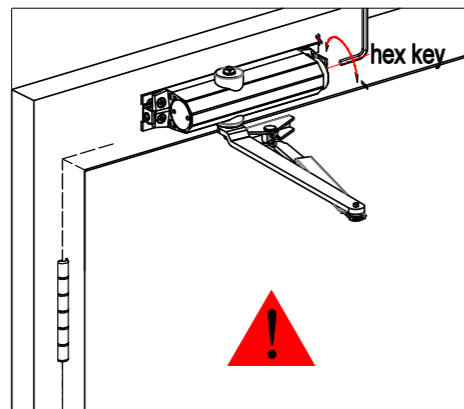
4 - Fit fixed arm to closer body using screws(C) and tighten. Keep fixed arm at 90° to door.



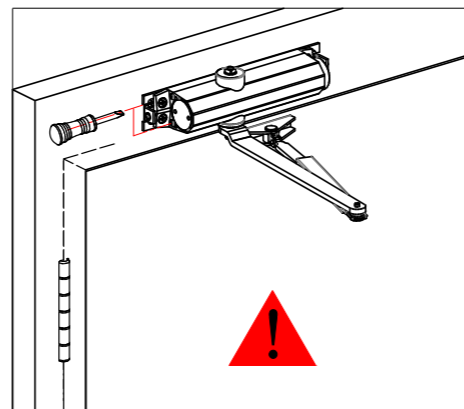
5 - Fit adjustable arm to door using 2-off screws(D).



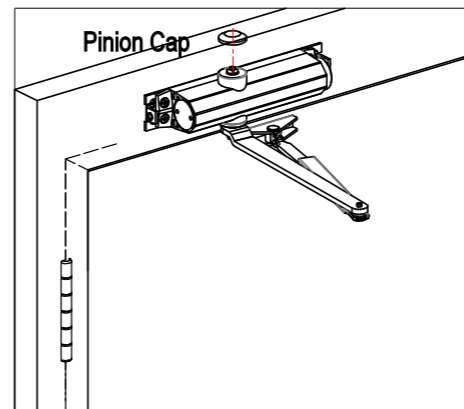
6 - Move fixed arm to meet adjustable arm, slide adjustable arm inside the channel. Keep adjustable arm at 90° and tighten screw(A) to lock sliding arm in place.



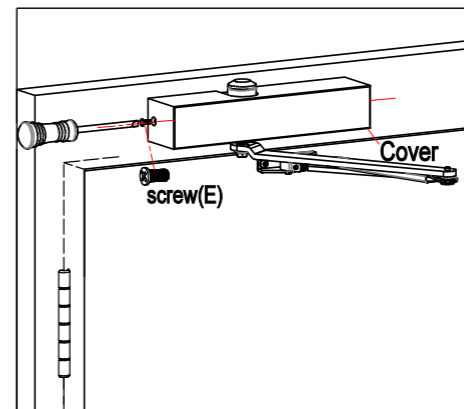
7 - According to door details (see table at top of template), adjust the closer power with hex key.



8 - Use screwdriver to adjust Speed and Latch valves.



9 - Assemble plastic cover onto pinion.



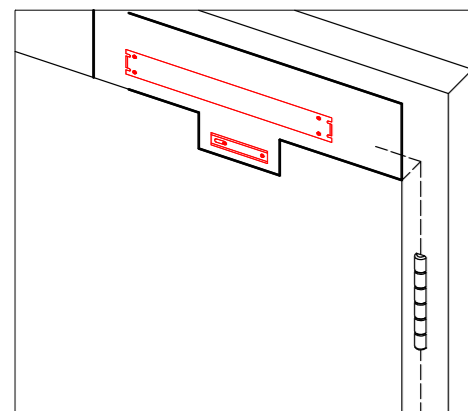
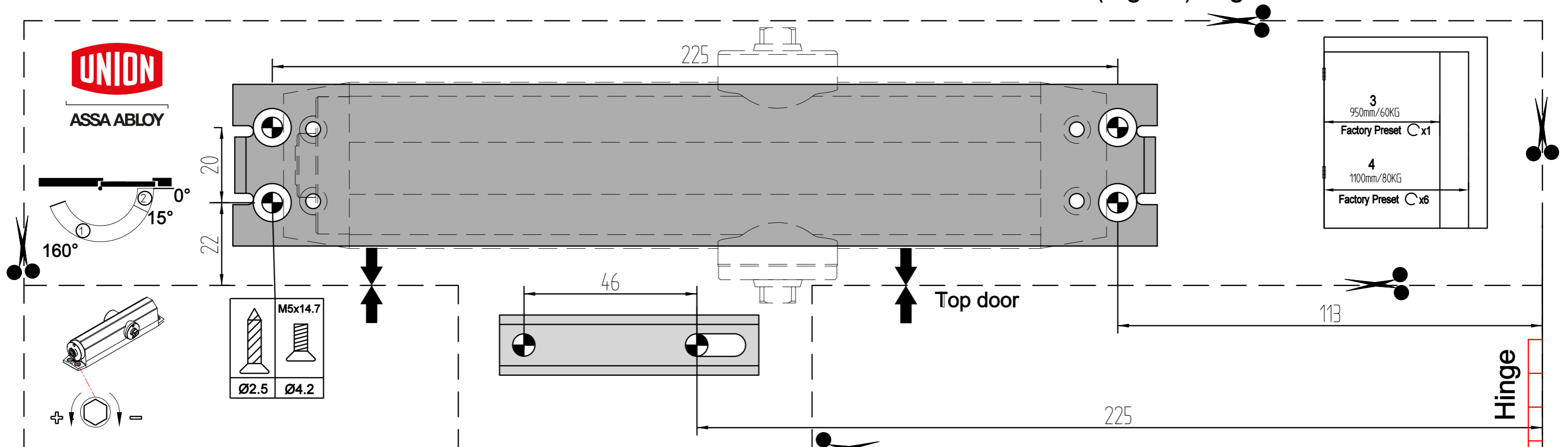
10 - Put the cover on body and tighten using screw(E).

Tools required:
Screw driver
Spirit level
Spanner

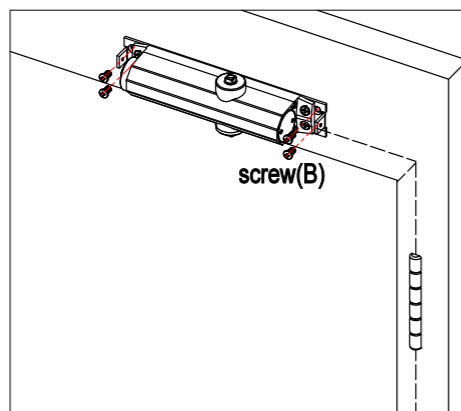
Valve Control:
Fast (1) Latch Control
Slow (2) Speed Control
Closing valve 160°~15° (Speed Control)
Latching valve 15°~0° (Latch Control)

Assembly complete

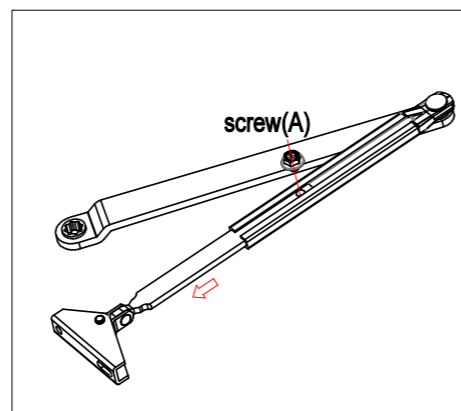
RetroV Rack and Pinion Closer Installation Instructions - Transom (Fig 61) Right Hand



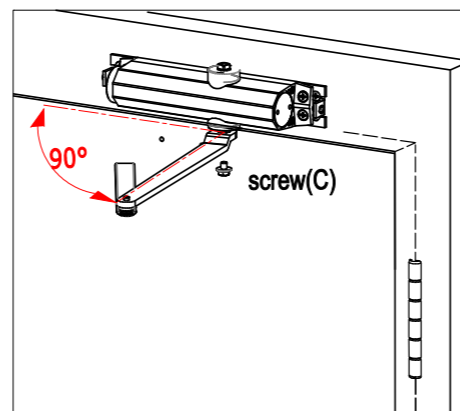
1 - Fit template to door, mark holes then remove template.



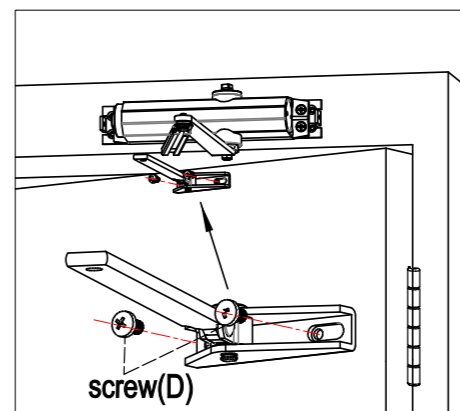
2 - Fit body to frame using 4-off screws(B) . Use spirit level to get body parallel to door frame.



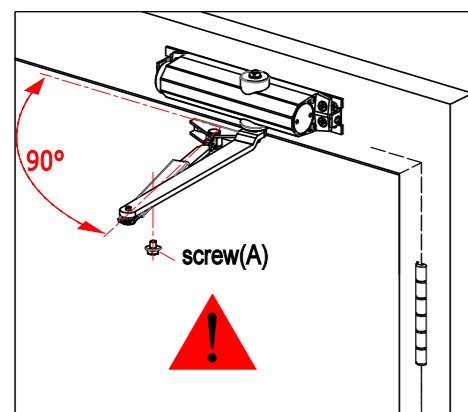
3 - Remove screw(A) from adjustable arm and take sliding part out.



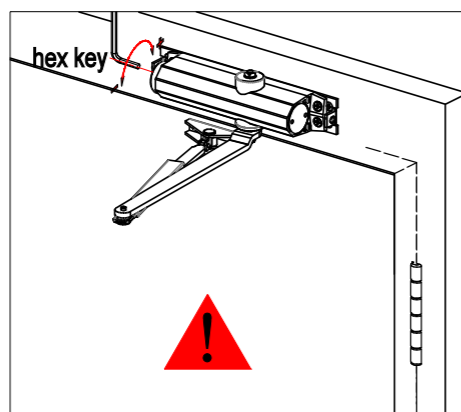
4 - Fit fixed arm to closer body using screws(C) and tighten. Keep fixed arm at 90° to door.



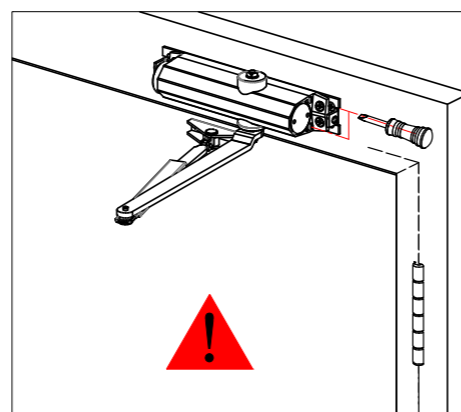
5 - Fit adjustable arm to door using 2-off screws(D).



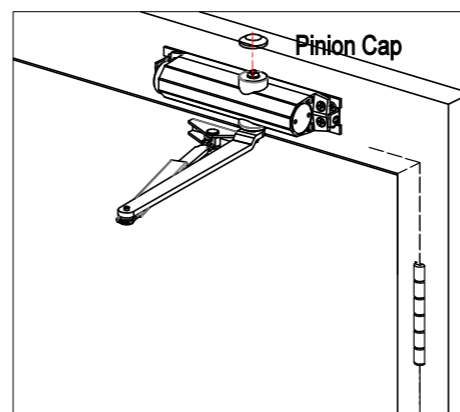
6 - Move fixed arm to meet adjustable arm , slide adjustable arm inside the channel. Keep adjustable arm at 90° and tighten screw(A) to lock sliding arm in place.



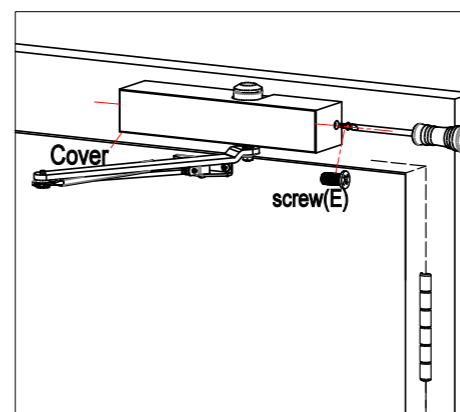
7 - According to door details (see table at top of template), adjust the closer power with hex key.



8 - Use screwdriver to adjust Speed and Latch valves.



9 - Assemble plastic cover onto pinion.



10 - Put the cover on body and tighten using screw(E).

Tools required:
Screw driver
Spirit level
Spanner

Parts list:
Door closer assembly (X 1pc)
Fixed arm (X 1pc)
Adjustable arm (X 1pc)
Screw(A) (X 1pc)
Screw(C) (X 1pc)
Hex key (X 1pc)
Cover (X 1pc)
Pinion Cap (X 1pc)
Screw(E) (X 2pcs)
Screw(B) (ST5.5x30mm M5x15mm) (X 4pcs)
Screw(D) (ST5.5x20mm M5x8mm) (X 2pcs)

Valve Adjustment:
Valve: + Fast, - Slow
① (Latch Control)
② (Speed Control)
Closing valve 160°~15° (Speed Control)
Latching valve 15°~0° (Latch Control)